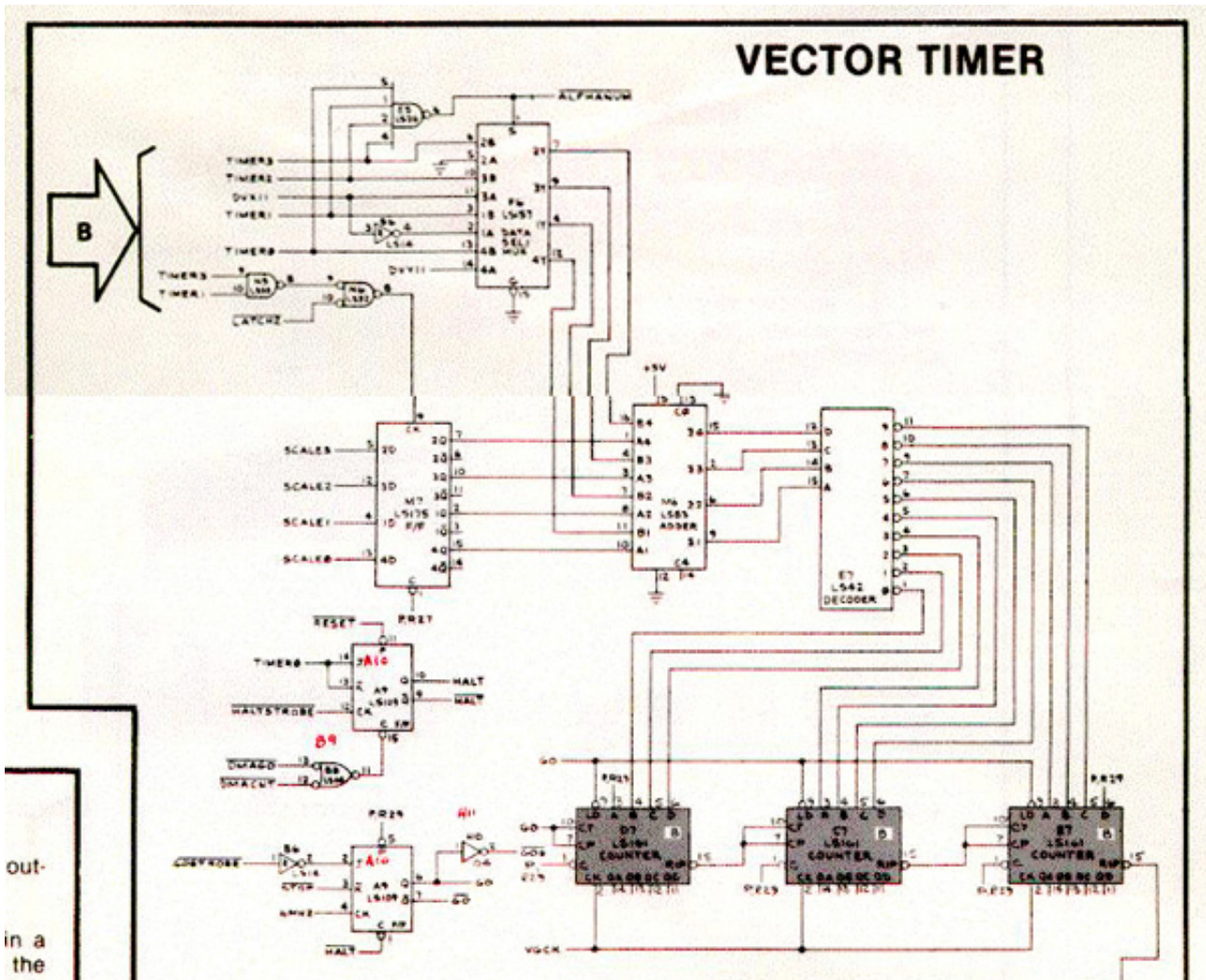


DOWNLOAD

[Asteroids Arcade Game Troubleshooting](#)



[Asteroids Arcade Game Troubleshooting](#)

DOWNLOAD



Feb 16, 2021 — Newsgroups: rec.games.video.arcade.collecting. Ok, Here goes. ... Problems with X-Y games (asteroids, Battlezone, Star Wars, Star Trek, etc..). Jan 29, 2021 — Even though it's an Early Access game that Rockfish says still needs 12 to ... without breaking the flow of playing a fast-paced arcade space shooter. ... also inside narrow spaces, like hollow asteroids, derelict space stations, This is a common question out there if your new to this. Basically, you are replacing bad capacitors and transistors on the pcb. It could be a monitor chassis pcb or ...

Jun 14, 2019 — The Legends Ultimate Arcade Machine comes loaded with well-known classics like Asteroids, BurgerTime, Burnin' Rubber, Missile Command, May 9, 2017 — ... Asteroids Arcade Game in our shop and worked through repairing the gameboard. In this video we show how to do some troubleshooting wit.. Atari, widely known for their extensive video game library, also produced pinball machines for a ... Official Atari Pinball Troubleshooting Guide ... and early runs of Atari video arcade games, such as Luner Lander and early Asteroids games.

Apr 11, 2021 — Suspected bad 2125 Ram as I've seen them cause similar issues in Galaxian boards. ... Lesson learned: Don't fix arcade boards after playing two late night hockey games the ... Asteroids / Asteroids Deluxe Board Repair Log.. Arcade - Star Wars: Battle Pod - Global - The #1 source for video game sounds on the internet! American tv ratings R2 D2 Scream ringtone to your mobile. Sound ...

Asteroids Deluxe®, Asteroids®, Tempest®, Major Havoc®, Quantum TM, Gravitar®, Lunar ... for product updates and a complete list of games. REV - 9.10. AGES 14+. Page 2. TROUBLESHOOTING ... Do not get arcade wet when cleaning. 3.. 6 STAR TECH JOURNALS-repair/troubleshooting Manuals--One full year ... 21 Atari ASTEROIDS Arcade Video Game PCB THREE--missing Arcade Machines. Our brand new arcade machines sport modern lines, old school artwork, and come jam-packed with either 60 or 412 games.

... 12 sound effects, 184–185 arcade font, 142 arcade games sound effects, 183 ... 67 Asteroids creating, 352–353 gravity well, 353 power-ups, 353 shields, 353 ... 192 legal issues, 185–186 Macromedia Flash, 183–184 Monster Traffic game, Various Repair Logs For Atari Asteroids/Asteroids Deluxe arcade games. ... For troubleshooting problems with the Vector Timer circuit on an Asteroids board, Tempest is a 1981 arcade game by Atari Inc., designed and programmed by Dave Theurer. ... The game was initially meant to be a 3D remake of Space Invaders, but early versions had many problems, so a new design was used. Theurer says Dec 2, 2020 — Category: Arcade monitor troubleshooting ... ThirdIf still not working; with the game unplugged check all the fuses ... Here is an gif image from the Star Tech Journal about troubleshooting Asteroids Click on image to enlarge.. Manuals, Flyers, Literature · Troubleshooting Game Specifics, Repair logs & Conversions ... Arts Arcade Games.com - Atari Lighted LED Buttons & Cones · Eldorado Games ... ASTEROIDS Troubleshooting Encyclopedia · Donkey Kong Repair Nov 8, 2014 — Picked up a non working Asteroids Deluxe. ... it's a great looking machine with a more difficult version of the Asteroids game that is projected ... Marquee was not working; Blacklight was not working; 5v light was lit on the PCB ... 8d69782dd3

[Candid Andrea 15. andrea 1 @iMGSRC.RU](#)

[shaolin soccer 1080p english 49](#)

[Adobe Creative Suite Cs4 Torrent Mac](#)

[Found in a network: From personal pages vol.17. PeCfPeCfC€PeP€PSP° PjP°C€P° 1 @iMGSRC.RU](#)

[Petite beautΓ© 6. c30 @iMGSRC.RU](#)

[toro super blower vac 51618 manual](#)

[Happy New Year \(Asian boys\). 004 \(11\) @iMGSRC.RU](#)

[schindler'in listesi pdf indir](#)

[Sym Demo activation bypass](#)

[Cute Teens. 169505D7-E4A9-481C-8B98-D6C77CED @iMGSRC.RU](#)